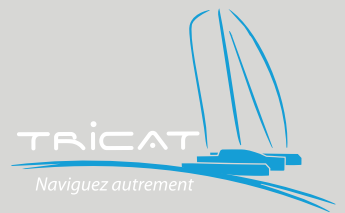


TRICAT 8.50



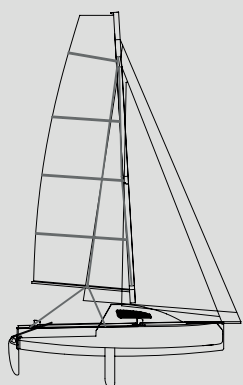
«THE UNCOMPROMISING REASON»

The result of 25 years of passion and expertise, the Tricat 8.50 redefines the world of large transportable trimarans, adding a touch of comfort and agility. Positioned perfectly between the Tricat 6.90 and the Tricat 30, it strikes the ideal balance between an adventurous explorer and a fast cruiser, offering an unparalleled experience at sea.

Imagine yourself on board the Tricat 8.50, where every detail has been meticulously designed for your enjoyment: a true bathroom for preserved privacy, a fixed kitchen to share warm meals, and a headroom of 1.82 meters that allows you to move around with ease. You'll be amazed by the multitude of clever storage spaces and the truly comfortable berth beneath the cockpit, designed to accommodate even a family with three children!

The generous freeboard creates a safe and dry cockpit, while its bright saloon, now a Tricat signature, offers you a breathtaking panoramic view of the water. Every aspect, from hull studies to weight management, has been carefully crafted to ensure exceptional performance, whether you're sailing with a crew or solo.

Like all Tricat models, this one is highly customizable. The Tricat 8.50 is not just a boat; it's a travel companion that promises magical and unforgettable moments on the water.



TRICAT 20



TRICAT 6.90



NEW FOR 2025
ORDERS OPEN FOR 2025



TRICAT 8.50



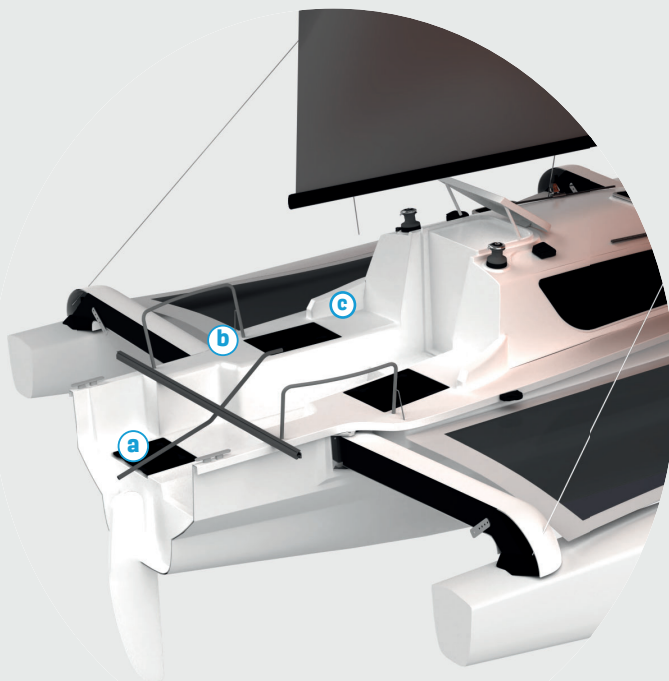
TRICAT 30

DESIGNED AND MANUFACTURED BY TRICAT

TRICAT 8.50

Focus on the Forward Zone:

Handrail
Flat deck
Pulpit
Bow roller
Windlass
Anchor locker
Telescopic bowsprit!



«Focus on the Cockpit:

Sleek and ergonomic deck layout, protected from spray.

- Ⓐ Technical area and swim platform
 - Long mainsheet track securing the cockpit
 - Steering pulpit
- Ⓑ Skipper's zone
- Ⓒ Crew/passenger zone»

Performance and Ergonomics:

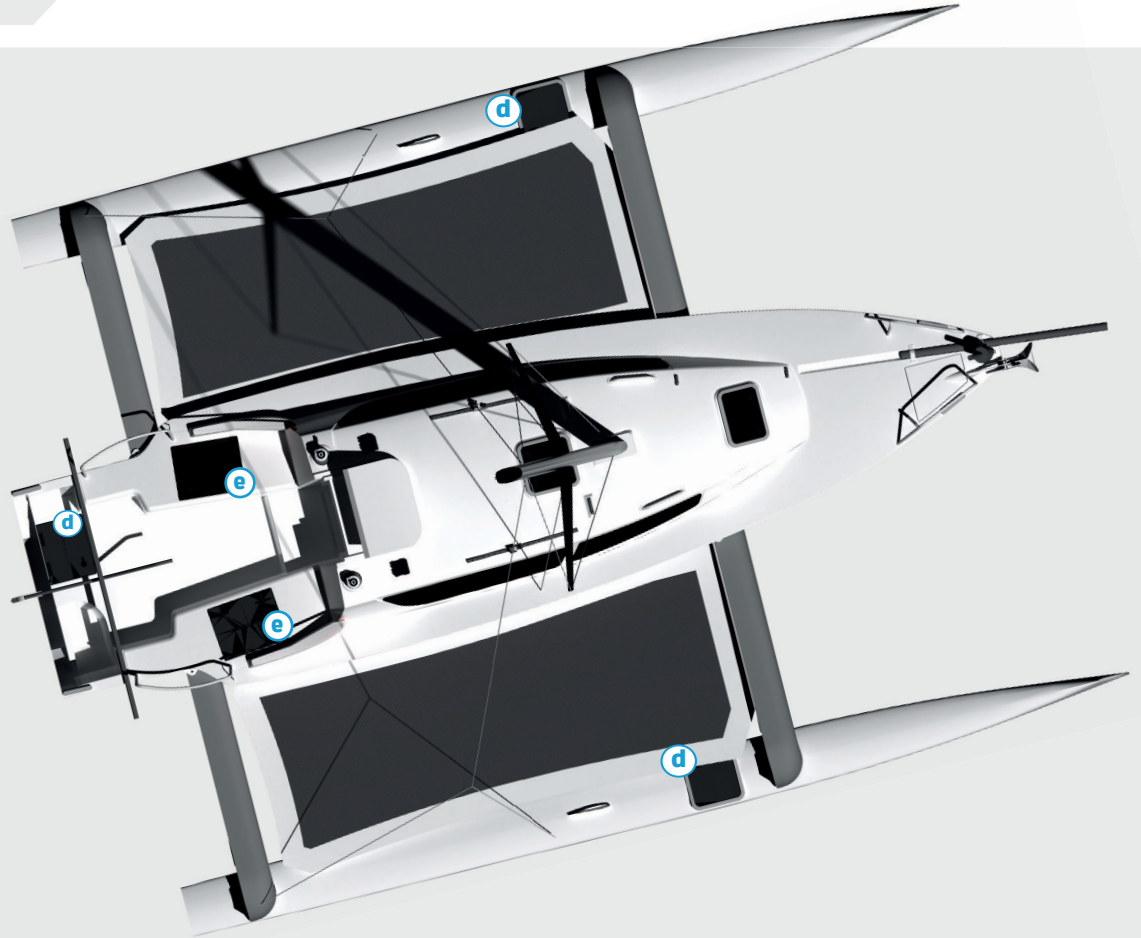
Standard infusion construction
Standard Harken equipment
Daggerboards on the floats, controllable from the cockpit
Choice of foresails (Code 0, Gennaker, Spinnaker)

Panoramic portholes
3-position companionway hatch
Sprayhood and sunshade



WHY CHOOSE BETWEEN PERFORMANCE AND COMFORT?

TRICAT 8.50



The appeal of the Tricat 8.50:

Huge rigged trampolines offering both a large leisure area and storage for the dinghy, even when inflated!

Safe circulation thanks to the wide side decks.

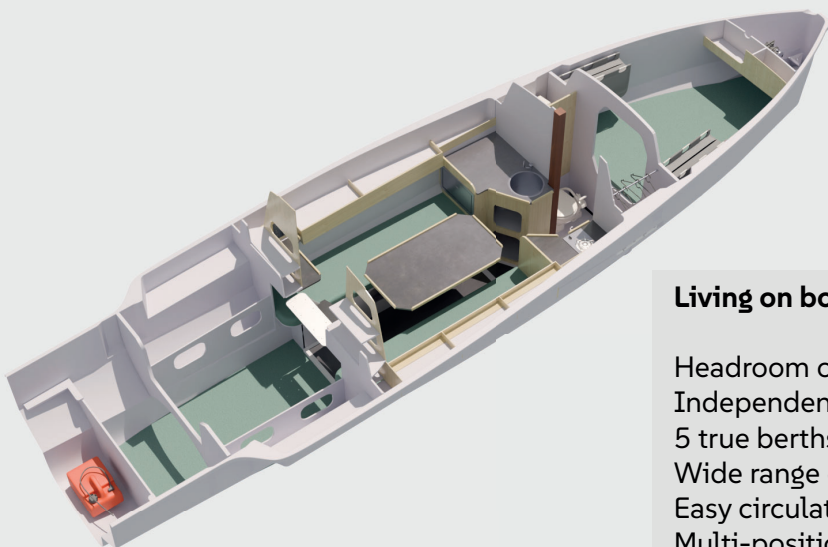
3 technical compartments (2 in the floats + 1 at the rear).

d 2 large storage lockers.

e Perfect stability at anchor and when beached.

Access to shallow waters thanks to its low draft.

Transportable: allows you to change your sailing area and winter the boat at home at a reduced cost.



Living on board:

Headroom of 1.82 meters

Independent toilet

5 true berths over 2 meters long

Wide range of layouts and finishes

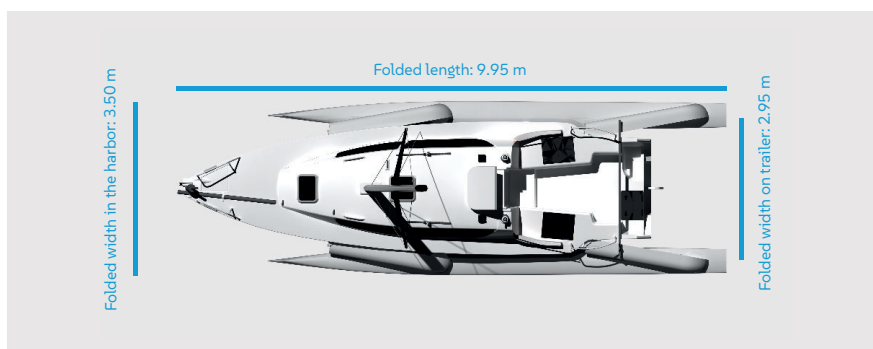
Easy circulation:

Multi-position table, wide interior

TECHNICAL SPECIFICATIONS

TRICAT 8.50

«Occupies the same space in the harbor as a 10-meter monohull!»



Architect: B.E. Tricat / Jack Michal
Builder: Tricat
Length unfolded / folded: 8.50m / 9.95m
Beam unfolded / folded: 6.50m / 2.95m
Draft: 1.50m / 0.45 m
Light displacement: 1950 Kg
Average equipment ready to sail:* 250 Kg
(*Engine, anchoring, electrical equipment, and options (average).)

Float volume: XXXL
Construction type: Infusion sandwich polyester
Foldable: Yes (rear pivoting)
Transportable: Yes (B+E license, flatbed trailer)

Sail plan:

Mainsail: 34.00 m²
Jib: 18.00 m²
Asymmetric spinnaker: 67.00 m²
Code 0: 36.00 m²
Engine: 6 HP / 10 HP / 15 HP Outboard
Headroom: 1.80m
CE category: B 4 persons / C 6 persons
Unsinkable: Yes

TRICAT: BUILDER OF TRANSPORTABLE AND FOLDABLE TRIMARANS FOR 25 YEARS:

RELIABILITY ✓

SAFETY ✓

PERFORMANCE ✓

CUSTOMIZATION ✓

EASY TO USE ✓



3 RUE RENÉ DESCARTES, 56890 PLESCOP, FRANCE
+33 101 2 97 47 87 68
CONTACT@TRIMARAN-TRICAT.COM



WWW.TRIMARAN-TRICAT.COM

